

98/99 Exit Devices

- Von Duprin push pad exit devices are available in two external surface styles; the 98 & 99 series. Both are functionally and dimensionally identical.
- 98 Series features smooth mechanism case with the 99 series having a grooved mechanism case
- Devices are equipped with a fluid dampener which decelerates the pushpad on its return stroke and eliminates most noise associated with exit device operations.
- Rim devices are equipped with a deadlocking latchbolt to provide additional security and improved performance.
- For all types of single and double doors with mullion.
- ANSI A156.3, 2001, Grade 1, UL
- Non handed for left and right doors.
- Dogging Feature Hex key dogging standard (non fire rated).
- Covers stock hollow metal doors with 86 or 161 cutouts on single doors
- Devices are 3' long. Can be field sized for doors from 2'4" to 3' wide.
- Rim mount devices supplied with 299 surface strike.
- Supplied with mounting hardware for 1-3/4" to 2-1/4" thick doors.
- Vertical devices are for 7' high doors with 5/8" deadlocking latches.
- Center case dimensions: 8" x 2-3/4" x 2-3/8"

VON DUPRIN®



Von Duprin

Mfg #	Exit Device Type	Finish	Case	Fire Rated	EZ #
98E0 628	Rim	Aluminum	Smooth	No	061926
98E0 F26D3FT	Rim	Satin Chrome	Smooth	Yes	028968
98E0626	Rim	Satin Chrome	Smooth	No	028967
99E0 628	Rim	Aluminum	Grooved	No	037248
99E026D3FT	Rim	Satin Chrome	Grooved	No	013780
99E0 F28 3FT	Rim	Aluminum	Grooved	Yes	079233
99E0 F626	Rim	Satin Chrome	Grooved	Yes	061937
9827E026D3FT	Surface Vertical Rod	Satin Chrome	Smooth	No	079248
9827E0628	Surface Vertical Rod	Aluminum	Smooth	No	077709
9927E028	Surface Vertical Rod	Aluminum	Grooved	No	062623
927E0 F28 3FT	Surface Vertical Rod	Aluminum	Grooved	Yes	079272
9927E0626	Surface Vertical Rod	Satin Chrome	Grooved	No	029828
9927E0 F26D3FT	Surface Vertical Rod	Satin Chrome	Grooved	Yes	065893



98/99 Exit Device Trims

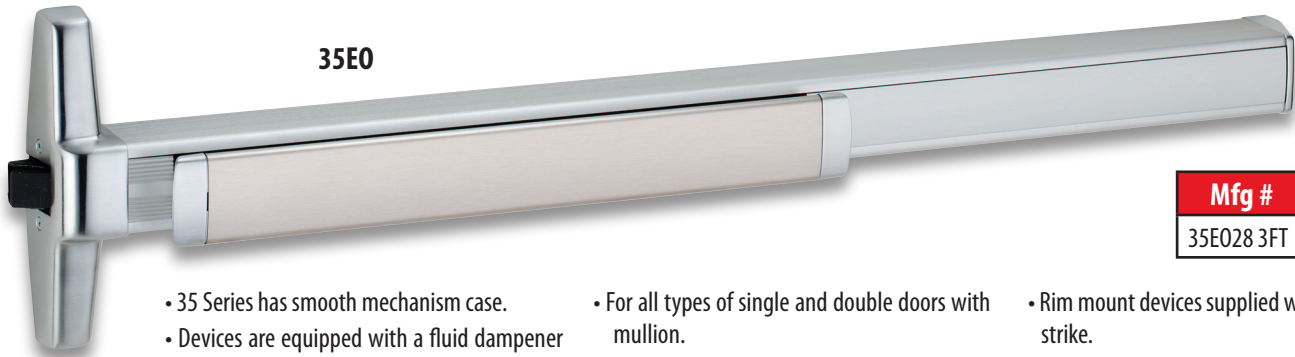
- All stocked in Satin chrome
- 996L Breakaway™ trim is effective in areas where vandalism to door hardware is a problem. The design is intended to discourage repairs from becoming necessary.

Mfg #	Type	Function	Escutcheon Plate Size	Pull Centers	Cylinder	EZ #
990DT 26D	DT	None	3" x 14-3/16" x 3/32"	5-1/2"	None	060527
990NL R26D	NL	Storeroom	3" x 14-3/16" x 3/32"	5-1/2"	Rim	028971
990TP BE	TP BE	Passage	2-3/4" x 10-3/4" x 27/32"	5-1/2"	None	090474
990TP R26D	TP	Classroom	2-3/4" x 10-3/4" x 27/32"	5-1/2"	1-1/4" Mortise	028973
992L R/V 06 LHR 626		Classroom	2-3/4" x 10-3/4" x 27/32"	5-1/2"	1-1/4" Mortise	073090
996L06 626		Classroom	2-3/4" x 10-3/4" x 27/32"	5-1/2"	1-1/4" Mortise	086441

VON DUPRIN®

35 Narrow Stile Exit Device

35E0



Mfg #	EZ #
35E028 3FT	079179

- 35 Series has smooth mechanism case.
- Devices are equipped with a fluid dampener which decelerates the pushpad on its return stroke and eliminates most noise associated with exit device operations.
- Equipped with a deadlocking latchbolt to provide additional security and improved performance.
- For all types of single and double doors with mullion.
- Non handed for left and right doors.
- Dogging Feature Hex key dogging standard.
- Fits door stiles as narrow as 1-3/4".
- Devices are 3' long. Can be field sized for doors from 2'4" to 3' wide.
- Rim mount devices supplied with 1439 roller strike.
- Supplied with mounting hardware for 1-3/4" to 2-1/4" thick doors.
- Center case dimensions: 8-3/16" x 2-13/32" x 1-9/16"
- ANSI A156.3, 1994, Grade I, UL Listed
- Stocked in Satin aluminum.

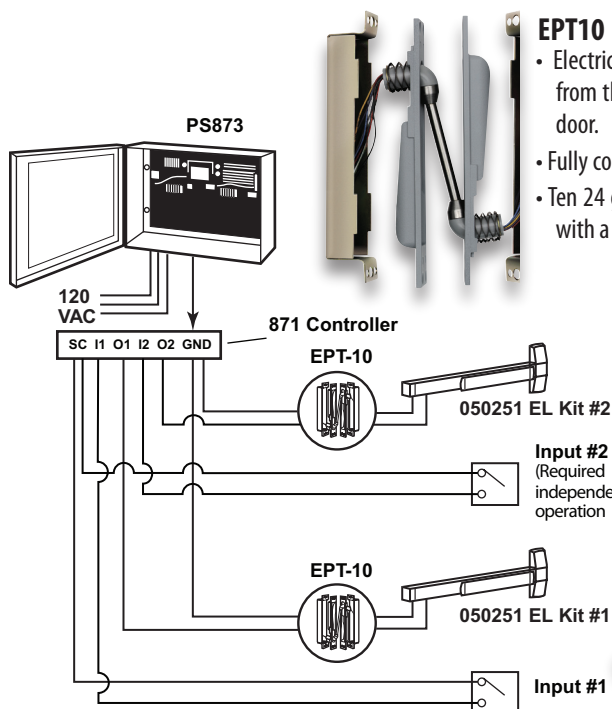
Electric Latch Retraction Kits & Accessories

- For the remote unlatching of exit devices. An access control system or guard station operator flipping a switch is able to retract the latch bolt immediately. This changes the exit door from push-pull operation for momentary unlatching, or for extended periods of time thus electronically dogging the device.
- ELR devices are also useful with automatic door operators, and may be applied to fire-rated applications when under the control of an automatic fire alarm system. ELR devices are UL approved for Class II circuit applications.
- Another application for an ELR device is to be used as an alternative to an electric strike where frame conditions do not allow for them to be used..



050070

- Electric Latch Retraction (ELR) conversion kit for 33, 35, 98, & 98 series 3' exit devices
- Requires PS873 power supply to function.



EPT10

- Electric power transfer conducts current from the frame to the edge of a swinging door.
- Fully concealed when door is closed.
- Ten 24 gauge wires; up to 1 amp @ 24VDC with a 16 Amps maximum surge.

050251

- Field installable request to exit (RX) switch signals access control systems when pushpad is depressed.
- For 22, 33, 35, 98, & 99 devices,

DCPM1

- Step down transformer converts 24VAC or 24VDC To 9-18VDC
- Rated at 1 Amp



PS873

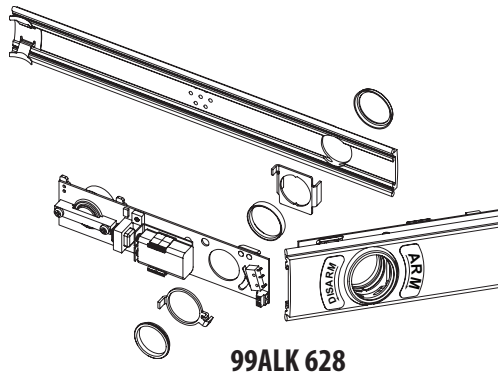
871 2

- Measures: 10"H x 12-1/2"W x 5"D
- Output: 24VDC@2A or 12VDC@4A
- Will power 1 or 2 (Optional 872-2 Controller) ELR devices.

Mfg #	Description	EZ #
050070	3' EL Conversion Kit	084403
PS873	EL Power Supply	076501
871 2	2 Zone Controller	084356
EPT10 SP28	Power Transfer	030532
050251	RX Switch Kit	067216
DCPM1	Stepdown Transformer	101014

98/98 Series Accessories

VON DUPRIN®

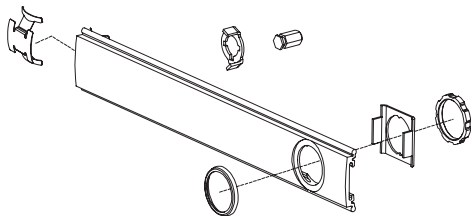


99ALK 628

- Retrofit kit for 99 devices is a simple yet effective way to deter unauthorized use of an opening.
- ALK kit contains a 85 decibel internal horn. When the touch bar is depressed, the horn sounds to provide an audible means of signaling that the opening has been violated.
- Alarm kit can be armed or disarmed by key thus allowing the exit device to be set in an armed or disarmed mode.
- Standard Hex Key dogging not available when using an ALK.

- Uses a standard 1-1/4" mortise cylinder with a straight cam (not supplied).
- Operates on one standard 9 volt alkaline battery.
- Intermittent low battery alert signal when battery is weak.
- Furnished with a RX-request to exit switch.
- Includes "EMERGENCY EXIT ONLY, ALARM WILL SOUND" decal for application on the door.
- It is recommended to use the non stock ALK-LX kit when used in conjunction with surface mount vertical exit devices.

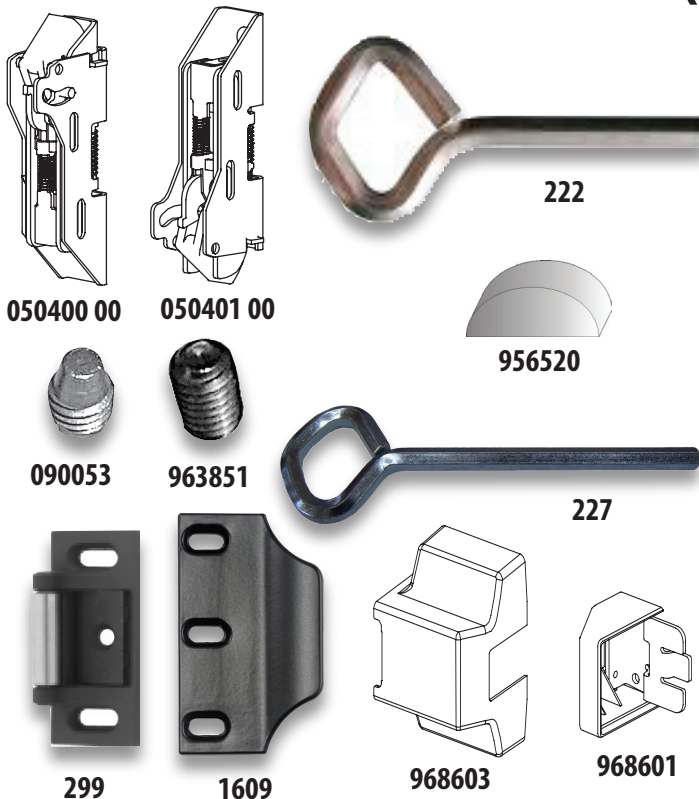
99CD KIT



- Retrofit kit for cylinder dogging on 98/99 devices (except fire rate) to replace the standard hex key dogging unit.
- Requires a 1-1/4" mortise cylinder with straight cam (not supplied.).

Mfg #	Description	Series	EZ #
99ALK28	Alarm Kit	99	069014
99CD KIT	Cylinder Dogging Kit	99 Except Fire Rated	029407
EXT ROD9927	12" Extension Rod Kit	9827 & 9927	047626

Exit Device Parts (All Series)

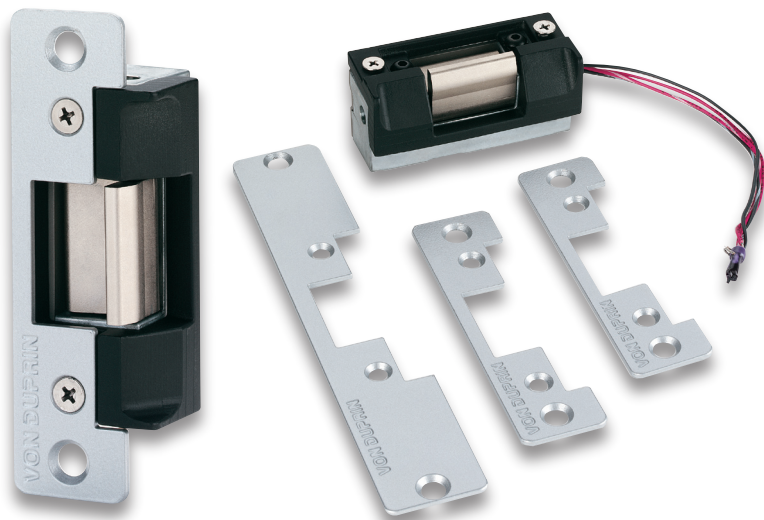


Mfg #	Description	Series	EZ #
050400 00	Top Latch Less Cover	9827, 9927	091202
050401 00	Bottom Latch Less Cover	9827, 9927	091203
090053	Dogging Screw	55	037259
956520	Wedge	88	037258
090081	Wedge Tite Adapter Screw	55, 88	013715
090082	Lever Arm Axle Assembly	88	027733
090083	Dogging Screw	88	037257
1609 26D	Double Door Strike	44, 55, 88, 98, 99	013728
222	7/32" Hex Dogging Key	44, 88	013744
227	5/32" Hex Dogging Key	22, 98, 99	013749
299BLACK	Standard Door Strike	44, 55, 88, 98, 99	027626
968601 00	End Cap	22	070651
968603	Center Case Cover	22	073059

Von Duprin

VON DUPRIN®

5100 Multi-Function Series



- Voltage: 12 or 24 VDC continuous duty
- Fail-safe or fail-secure Easily changed in less than thirty seconds.
- Includes mounting tabs, & neoprene filler place
- 1300 lbs pounds of holding strength.
- Keeper depth of 1/2": Accommodates latches up to 5/8" throw.
- Tested to over one million cycles.
- Faceplates Included: 4-7/8" ANSI round corner, 4-7/8" ANSI square corner, 7-15/16" long, round corner wood frame prep
- Adjustable keeper provides a snug fit and reduces pressure from the door on the strike.

Mfg #	EZ #
5100 689	074901

6100 & 6200 Heavy Duty Strikes



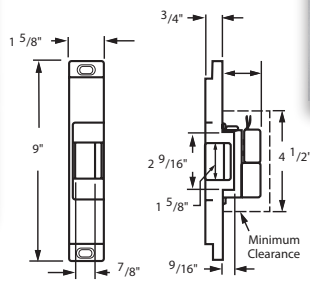
6111

- For use with rim exit devices on single doors or double doors with mullion applications
- For hollow metal, aluminum or wood.
- Stainless Steel Construction
- Accepts 3/4" Throw Latchbolt
- Non-handed
- Fail Secure
- Horizontally Adjustable
- Plug Connectors



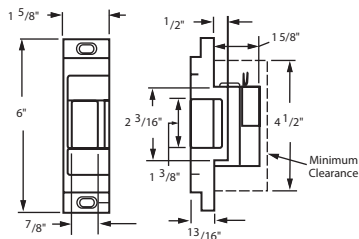
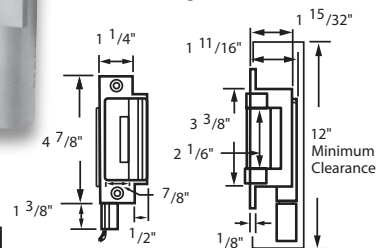
6112

- For use with rim exit devices on single door applications.
- For hollow metal, aluminum or wood.
- Stainless Steel Construction
- Accepts 3/4" Throw Latchbolt
- Non-handed
- Fail Secure
- Horizontally Adjustable
- Plug Connectors



6211

- Electric strike for use with mortise locks without deadbolt or cylindrical locks on single door, hollow metal frames.
- Stainless Steel Construction
- Accepts 3/4" Throw Latchbolt
- Non-handed
- Fail Secure
- Horizontally Adjustable
- Plug Connectors



Mfg #	For	Voltage	EZ #
6111 32D12VDC	Rim Exit Devices	12VDC Fail Secure	062202
6111 32D24VDC	Rim Exit Devices	24VDC Fail Secure	030163
6112 12VDC 630	Rim Exit Devices	12VDC Fail Secure	037252
6112 32D24VDC	Rim Exit Devices	24VDC Fail Secure	030192
6211 32D24VDC	Cylindrical or Mortise	24VDC Fail Secure	030193